

Product Bulletin

Subject: Add Optional Lock Valve Kit to Existing Trailer Jack Installation

⚠ WARNING To safely install the lock valve all hydraulic pressure must be released from the system and the trailer supported, so all weight is removed from the trailer jack.

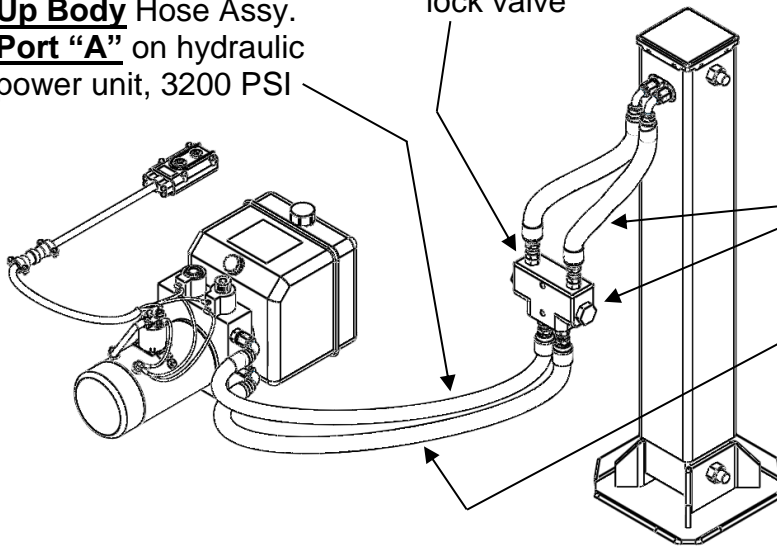
Single Trailer Jack

Up Body Hose Assy.
Port "A" on hydraulic
power unit, 3200 PSI

Cylinder hoses must go
to "Cylinder" ports on
lock valve

Lock Valve
and 1 foot
long hoses
supplied in kit

Down Body Hose Assy.
Port "B" on hydraulic
power unit, 1500 PSI



Dual Trailer Jacks

Up Body Hose Assy.
Port "A" on hydraulic
power unit, 3200 PSI

Cylinder hoses must
connect to "Cylinder"
ports on lock valve

Lock valve
and 1 foot
long hoses
supplied in kit

Down Body Hose Assy.
Port "B" on hydraulic
power unit, 1500 PSI

