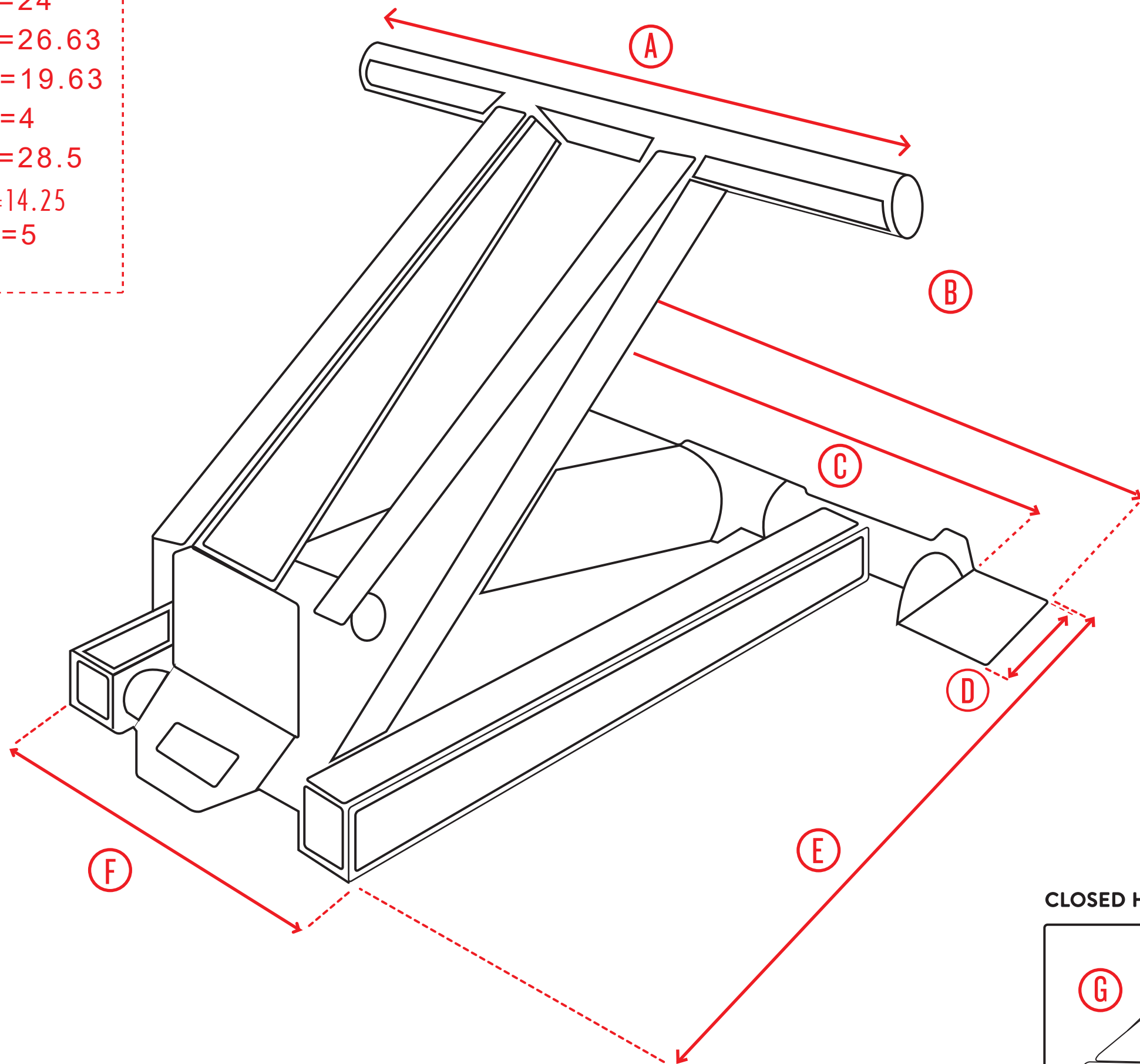


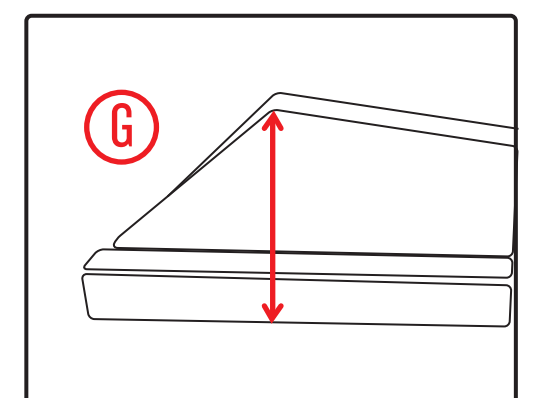
310  
MODEL

# POWER HOISTS

A=24  
B=26.63  
C=19.63  
D=4  
E=28.5  
F=14.25  
G=5



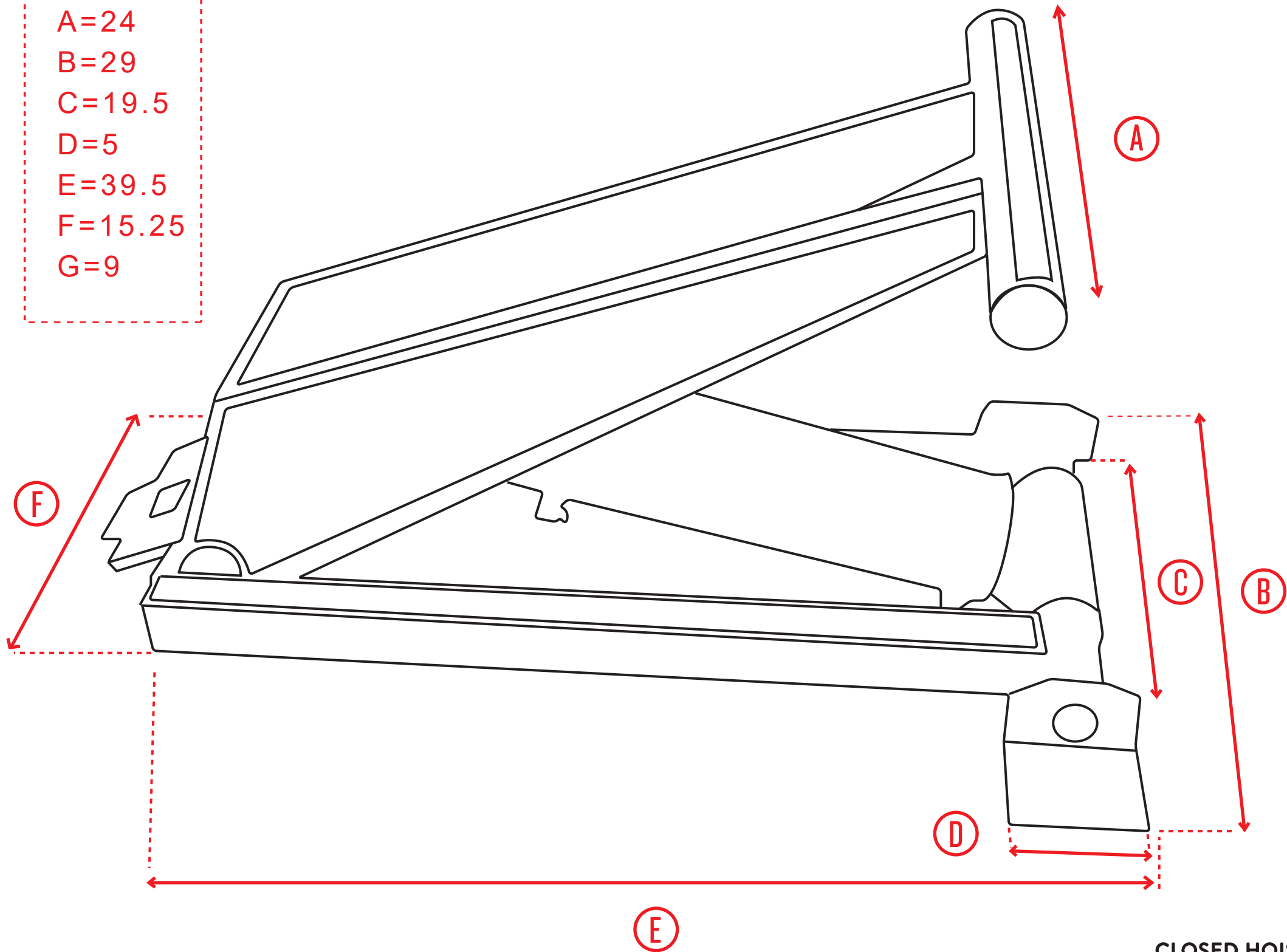
CLOSED HOIST



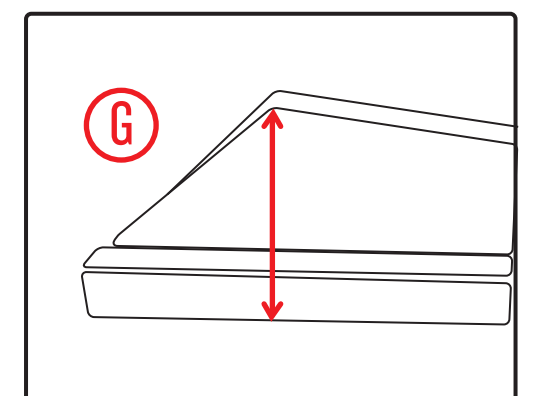
416  
MODEL

# POWER HOISTS

A=24  
B=29  
C=19.5  
D=5  
E=39.5  
F=15.25  
G=9



CLOSED HOIST



516  
MODEL

# POWER HOISTS

A=24

B=28.5

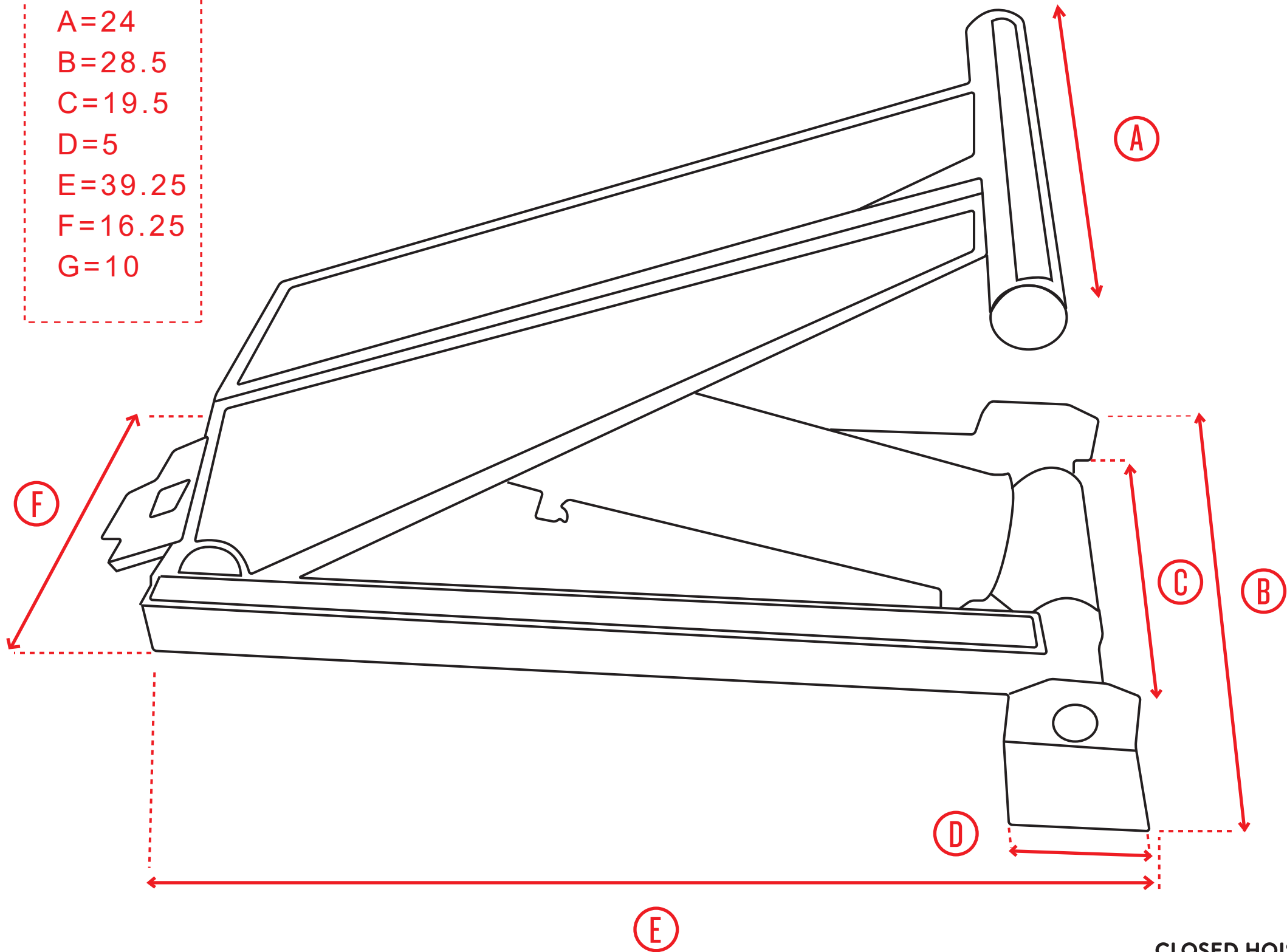
C=19.5

D=5

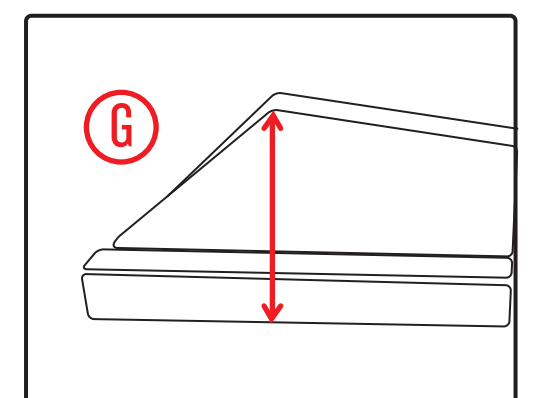
E=39.25

F=16.25

G=10



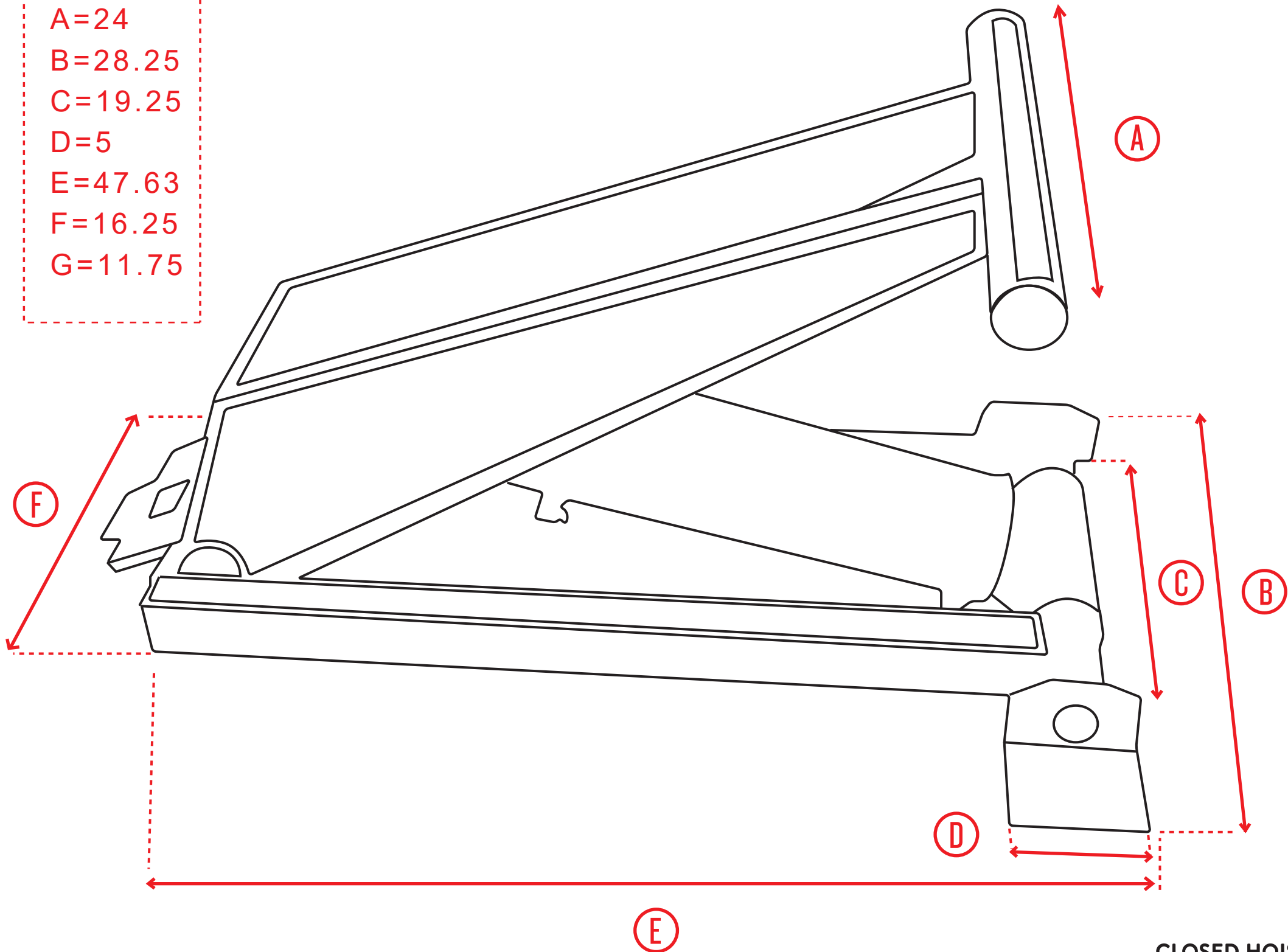
CLOSED HOIST



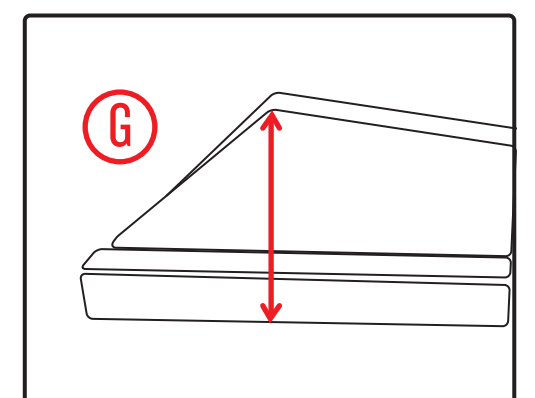
520  
MODEL

# POWER HOISTS

A=24  
B=28.25  
C=19.25  
D=5  
E=47.63  
F=16.25  
G=11.75



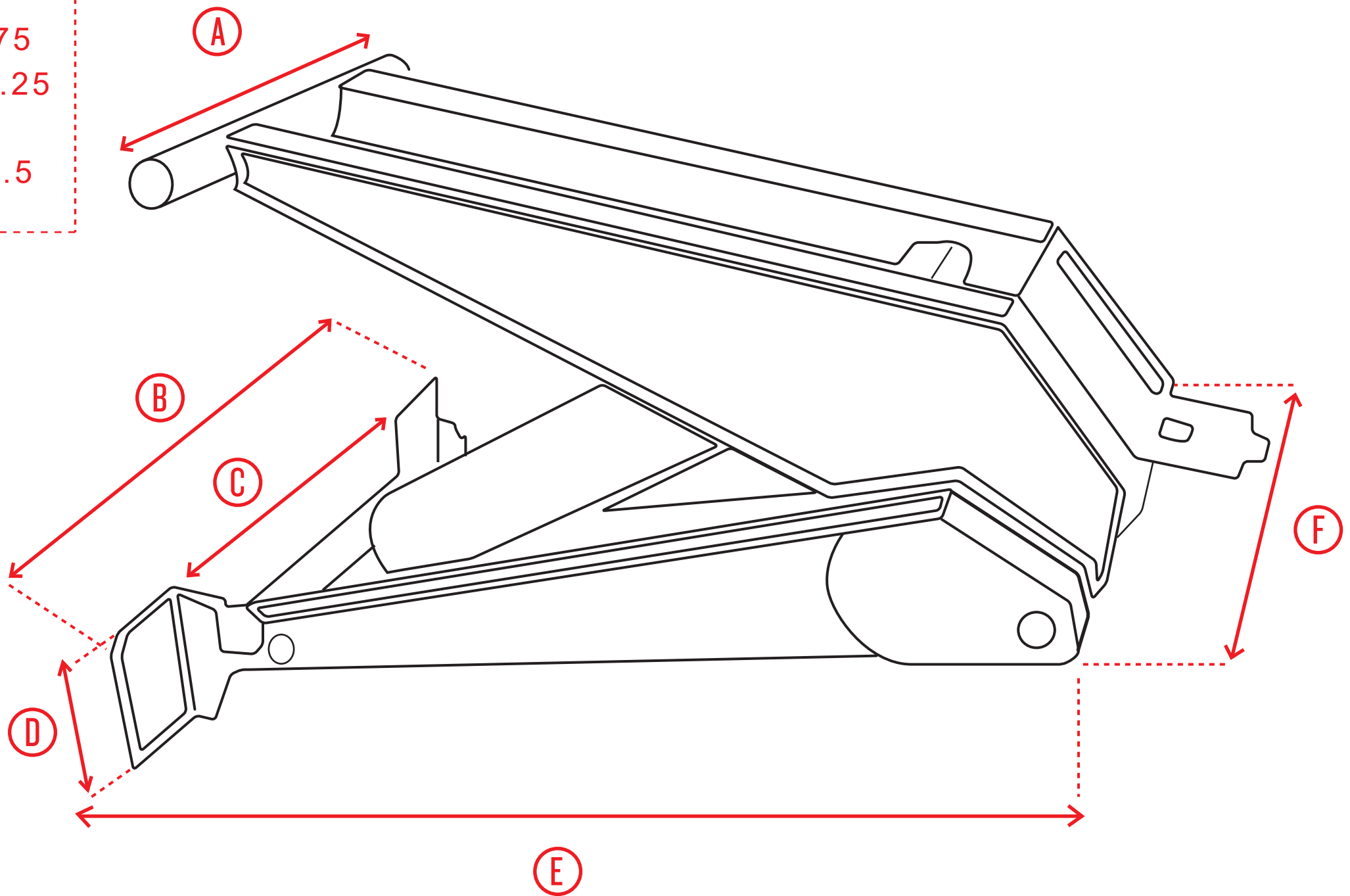
CLOSED HOIST



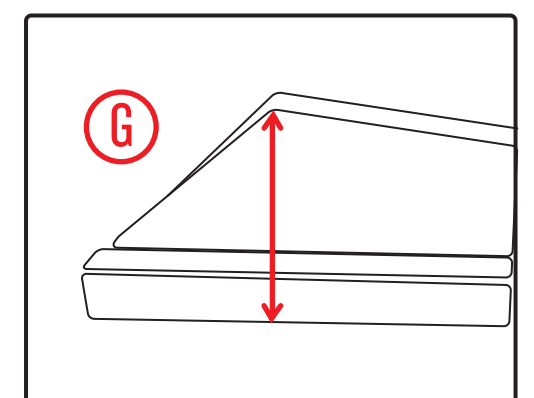
620  
MODEL

# POWER HOISTS

A=24  
B=37.5  
C=25  
D=9.75  
E=50.25  
F=22  
G=11.5



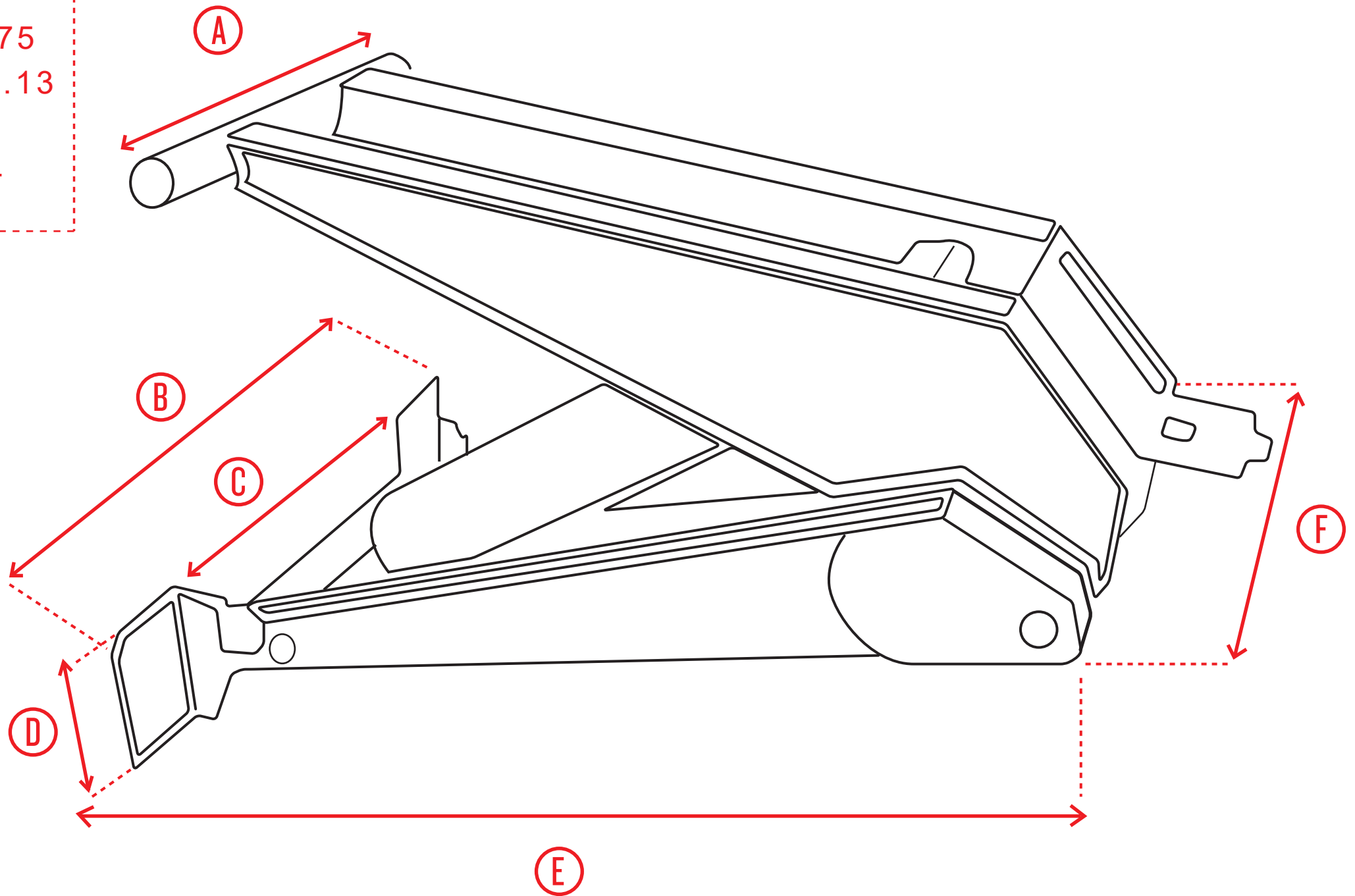
CLOSED HOIST



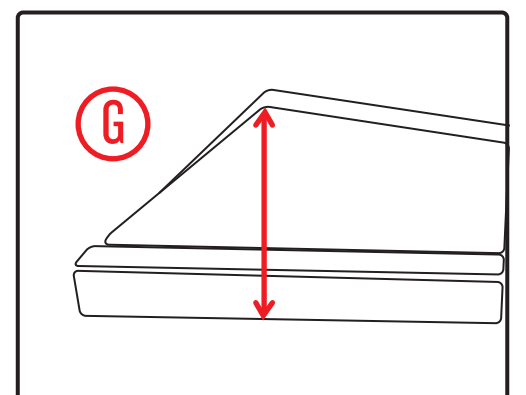
625  
MODEL

# POWER HOISTS

A=24  
B=37.5  
C=25  
D=9.75  
E=57.13  
F=23  
G=14



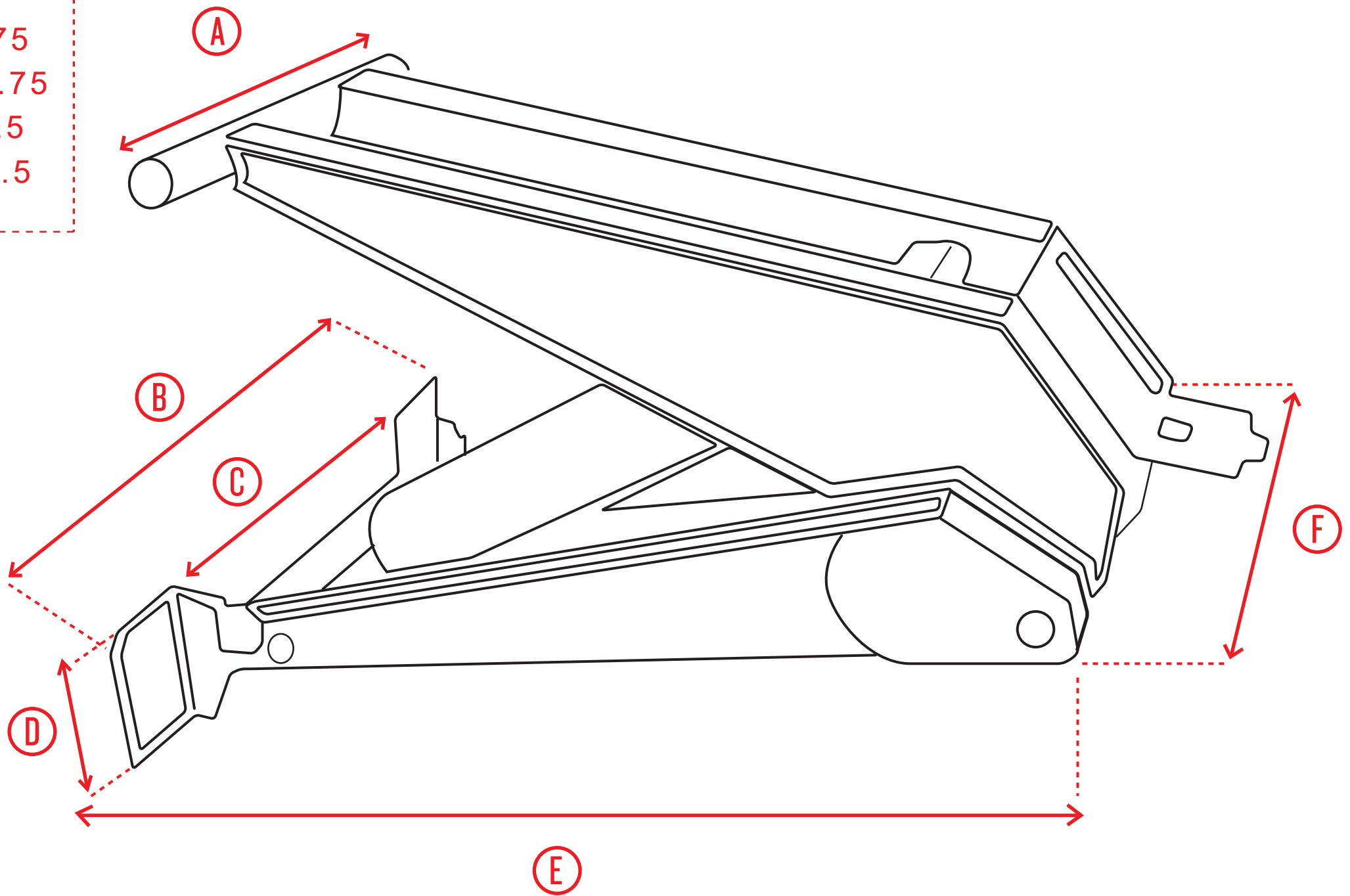
CLOSED HOIST



630  
MODEL

# POWER HOISTS

A=24  
B=37.5  
C=25  
D=9.75  
E=65.75  
F=22.5  
G=14.5



CLOSED HOIST

